



U2ASA: DOUBLE ANGLE SENSOR UNIT

This brand new device is based on the use of two internal static sensors, driven by a proper inside microprocessor. Specifically designed for applications on mobile machines, its compact design and ease installation, together with the lack of inside mobile components offer a unique rugged solution, resumed in its 1000 g's proof.

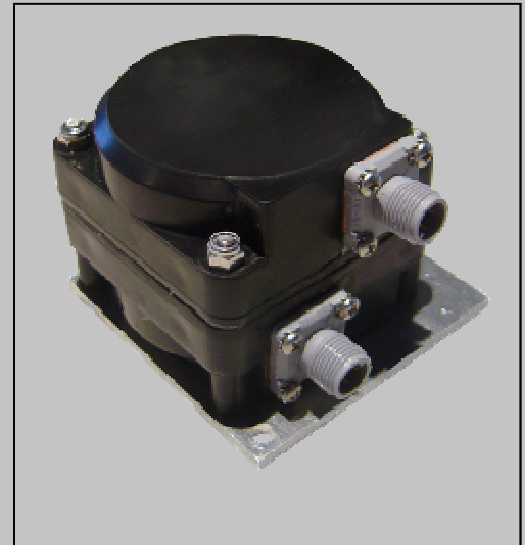
Suitable where 360° angle measuring is required, its basic control function consists in generating an analogue output signal corresponding to its angle to gravity.

Typical applications are cranes, access platforms, fire ladders, excavators, drilling rigs, etc., wherever environmental immunity is required.

Basic version connection by two M12 connectors.

U2ASA sensor exists in following configurations:

- U2ASA/XX: With analogue ASA sensors (+5V Supply)
- U2ASA-CB/XX: With CANBUS ASA sensors (+24V Supply)



TECHNICAL DATA

ELECTRICAL CHARACTERISTICS:

- Highest reliability by using static components.
- Operating Power Supply Voltage: U2ASA/XX: 5 Vcc ±1% - U2ASA-CB/XX 9 ÷ 30 Vcc by battery
- Output signal: 0 ÷ 5 Vcc equivalent to 13.8 mV/° on 10Kohm load
- Range: 360°
- Current sink: 2 x 70mA
- Accuracy : ±0.3 deg

EXTERNAL WIRINGS

U2ASA/XX

PIN C1,C2	WIRE COLOR	SIGNAL
1	BROWN	+VB
2	WHITE+ YELLOW/GREEN	GND
3	GREEN	AN1
4	NC	NC

ANALOG VERSION

U2ASA-CB/XX

PIN C1,C2	WIRE COLOR	SIGNAL
1	BROWN	+VB
2	WHITE+YELLOW/GREEN	GND
3	YELLOW	CAN H
4	GREEN	CAN L

CAN-BUS VERSION

CERTIFICATIONS:

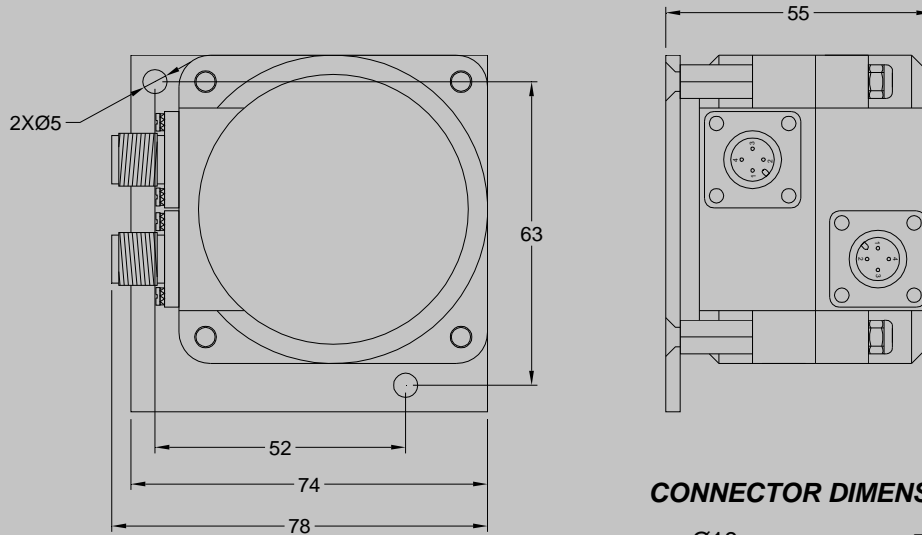
The ABSM unit (all models) is conformed to the following directives and standards required by 89/336 CE, according to automotive standards:

- 1) EMC generic standards for emission, heavy industrial environment :
 - Reference standard: EN 61000-6-4
 - Base standard: EN 55011 (Radiated RF emissions)
- 2) Electromagnetic immunity in heavy industrial environment:
 - Reference standard: EN 61000-6-2
 - Base standard: EN 61000-4-4 (Fast transient "Burst")
 - EN 61000-4-6 (Conducted RF immunity)
 - EN 61000-4-3 (Radiated RF immunity)

MECHANICAL AND ENVIRONMENTAL CHARACTERISTICS:

- Housing: Plastic with aluminium sub-plate.
- Operating temperature range : from -25°C to +70°C (from -13°F to +158°F)
- Storage Temperature Range: from -35°C to +85°C (from -31°F to +185°F)
- Vibrations endurance 10 g @ 50 Hz, 1000 g's shock proven
- Protection: IP67
- Connectors: M12

MECHANICAL DIMENSIONS:



CONNECTOR DIMENSIONS:

