

ASC2: ANGLE SENSOR WITH CURRENT OUTPUT

Device based on a static accelerometer and on a digital microcontroller able to read and to condition the sensor signals to compute a 0° - 360° angle and give a 4 – 20 mA current output.

Typically designed for mobile machine application. Compact design. Easy installation. Very strong solution, no mechanical moving part, able to tolerate high intensity mechanical shock.

Typical applications are on cranes, knuckle boom cranes, access platforms, motor ladders, excavators, concrete pumps, drilling machines, everywhere is requested reliability and vibrations resistance.



TECHNICAL DATA

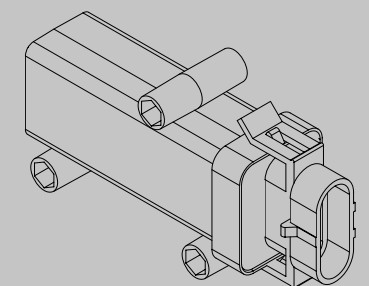
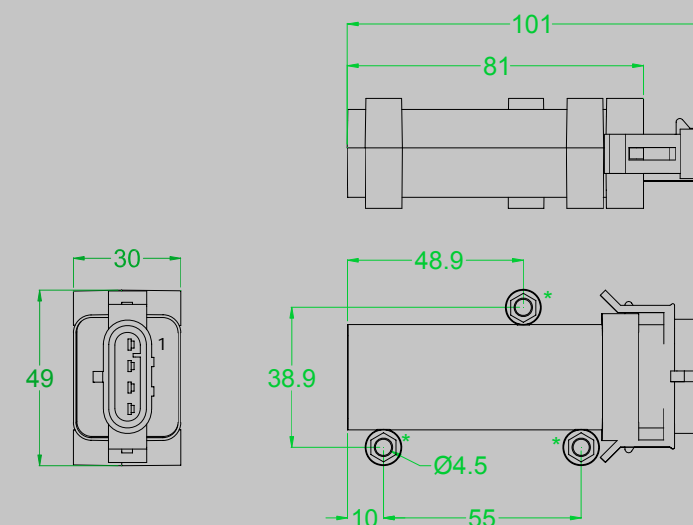
- Output signal: current 4 ÷ 20mA (2mA if internal fault)
- Measurement Range : 0° ÷ 360°
-20° ÷ +20°
0° ÷ 90°
- Resolution: 0.3°
- Accuracy: ± 0,3° (at +25°C / +77°F)
- Max thermal drift ± 1° on the operating temperature range
- Power supply: 10÷32 Vdc
- Supply Current : 20mA (without load)
- Load resistance versus Power supply:

V Alim	R min.	R max.
10 V	100 Ω	300 Ω
32 V	100 Ω	1 KΩ

MECHANICAL CHARACTERISTICS AND RATINGS :

- Operating Temperature Range: from -20°C to +70°C (from -4°F to +158°F)
- Storage Temperature Range: from -30°C to +85°C (from -22°F to +185°F)
- Protection: IP67

MECHANICAL DIMENSIONS AND WIRINGS:

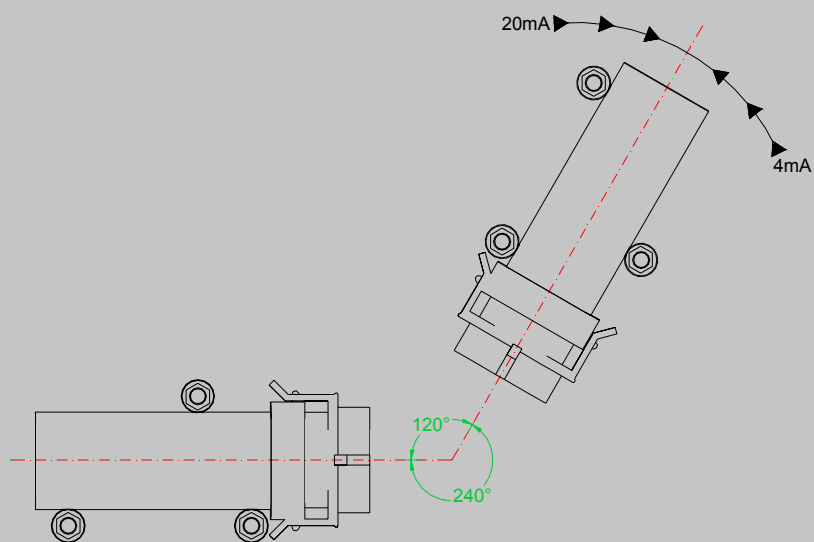
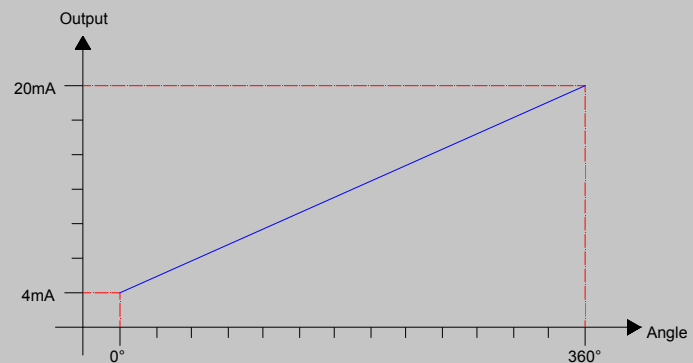


Pin-Out	
Pin	Signal
1	+VB
2	-VB
3	Iout
4	n.c.

*SCREWS: UNI 5739 DIN 933 M4

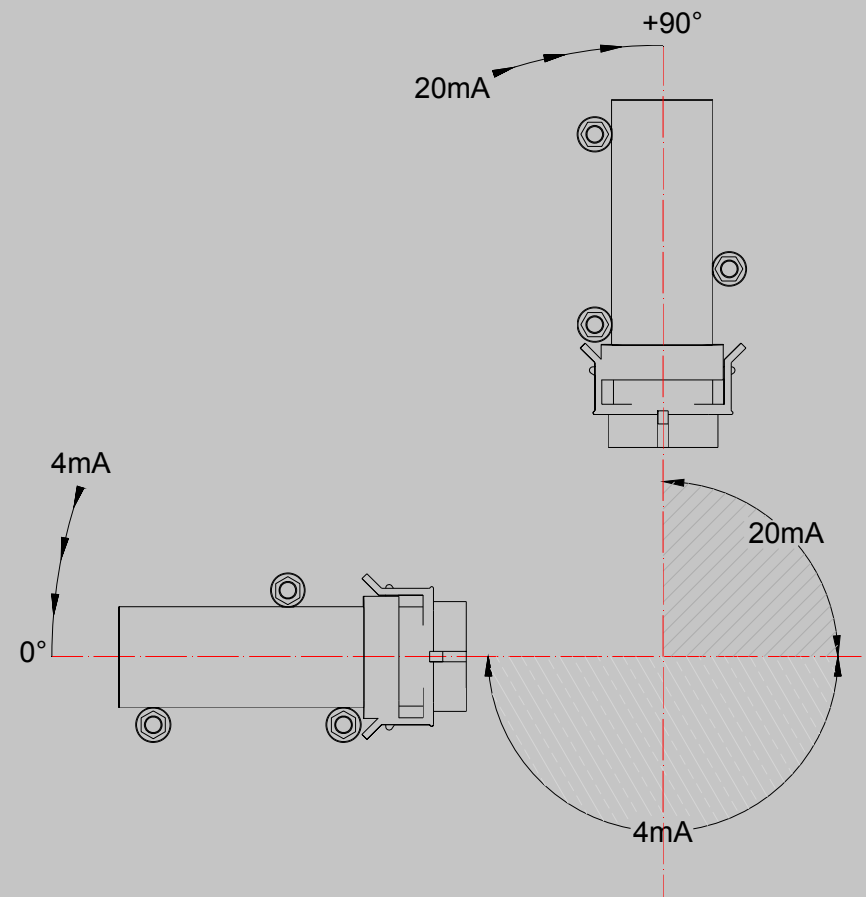
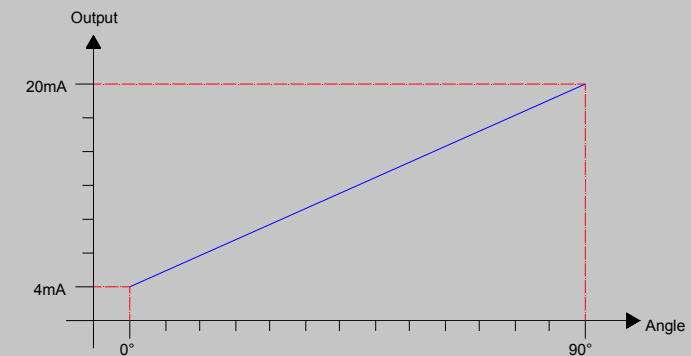
ASC2-1

**OPERATIVE CURRENT OUTPUT RANGE
VERSUS ANGLE MEASUREMET RANGE:**



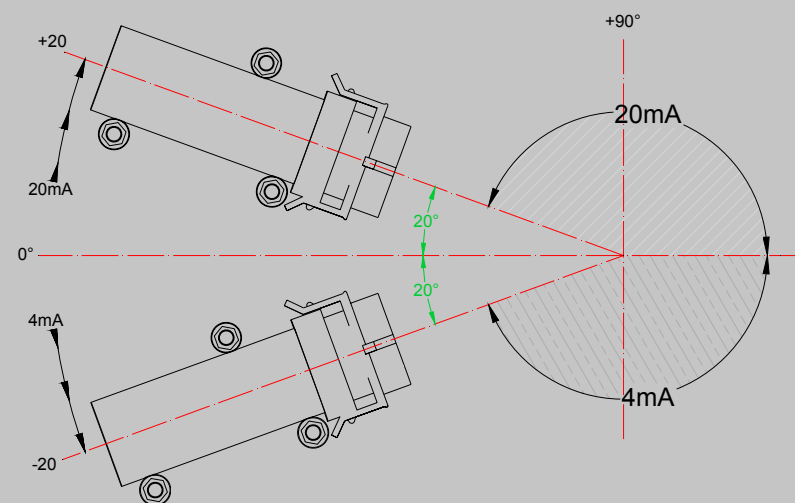
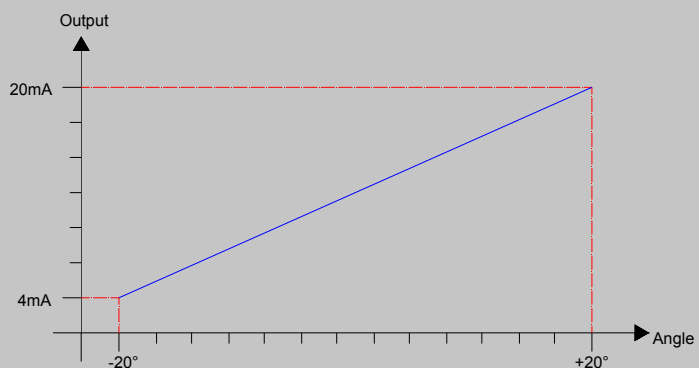
ASC2-3

**OPERATIVE CURRENT OUTPUT RANGE
VERSUS ANGLE MEASUREMET RANGE:**



ASC2-2

**OPERATIVE CURRENT OUTPUT RANGE
VERSUS ANGLE MEASUREMET RANGE:**



**CURRENT OUTPUT IN CASE OF INTERLAL
FAULT FOR ALL VERSION:**

