

U2AMU: DOUBLE ANGLE SENSOR UNIT

This brand new device is based on the use of two internal static sensors, driven by a proper inside microprocessor.

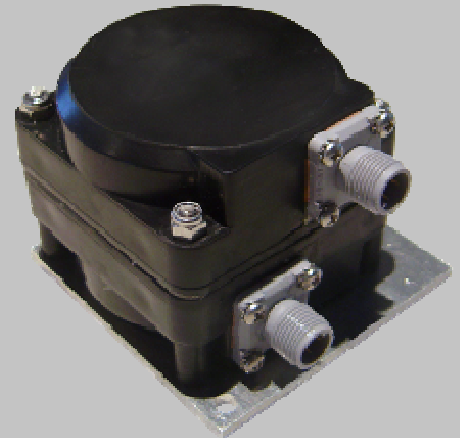
Specifically designed for applications on mobile machines, its compact design and ease installation, together with the lack of inside mobile components offer a unique rugged solution, resumed in its 1000 g's proof.

Suitable where 360° angle measuring is required, its basic control function consists in generating an analogue output signal corresponding to its angle to gravity.

Typical applications are cranes, access platforms, fire ladders, excavators, drilling rigs, etc., wherever environmental immunity is required.

Basic version connection by two M12 connectors.

U2ASA-CB: With CANBUS ASA sensors



TECHNICAL DATA

ELECTRICAL CHARACTERISTICS:

- Power Supply: 8 ÷ 32 Vdc (Operates on vehicle power supply directly)
- Supply Current: 2 x 30 Ma
- Baud Rate: Programmable (50, 100, 125, 250, 500, Kbit/sec.)
- Identifier Range: Programmable 11-29 bit
- Transmission Rate: Programmable in 20 ms steps
- Measuring Range: 0° ÷ 360°- Zero Angle
- Reference: Freely programmable
- Accuracy and Linearity: ± 0,2 deg @ 25°C
± 0,4 deg @ operating temperature
- Thermal drift: 0.001 deg/°C

EXTERNAL WIRINGS:

PIN	WIRE COLOR	SIGNAL
1	BROWN	+VB
2	WHITE	GND
3	YELLOW	CAN H
4	GREEN	CAN L

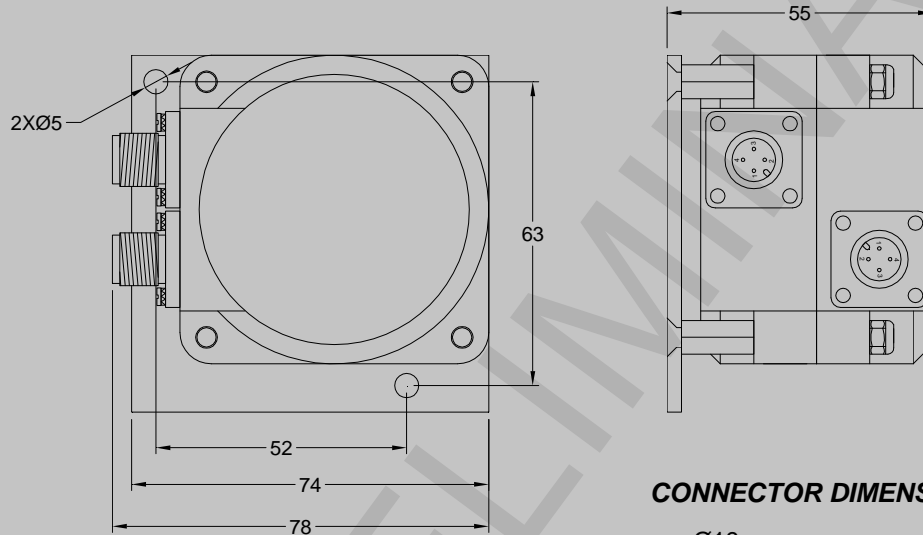
CERTIFICATIONS:

The U2AMU unit (all models) is conformed to the following directives and standards required by 89/336 CE, according to automotive standards:

- 1) EMC generic standards for emission, heavy industrial environment :
 - Reference standard: EN 61000-6-4
 - Base standard: EN 55011 (Radiated RF emissions)
- 2) Electromagnetic immunity in heavy industrial environment:
 - Reference standard: EN 61000-6-2
 - Base standard: EN 61000-4-4 (Fast transient "Burst")
EN 61000-4-6 (Conducted RF immunity)
EN 61000-4-3 (Radiated RF immunity)

MECHANICAL AND ENVIRONMENTAL CHARACTERISTICS:

- Housing: Plastic with aluminium sub-plate.
- Operating temperature range : from -40°C to +80°C (from -40°F to +176°F)
- Storage Temperature Range: from -40°C to +85°C (from -40°F to +185°F)
- Vibrations endurance 10 g @ 50 Hz, 1000 g's shock proven
- Protection: IP67
- Connectors: M12

MECHANICAL DIMENSIONS:**CONNECTOR DIMENSIONS:**