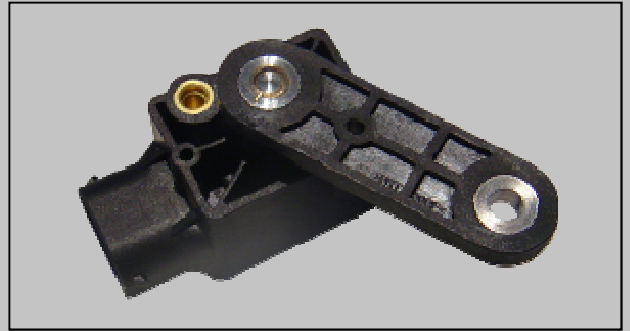


Y11 CS1789-1: MULTI-FUNCTION ANGLE SENSOR



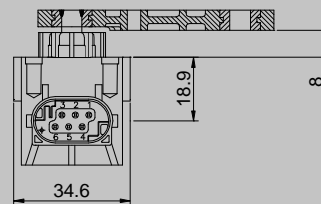
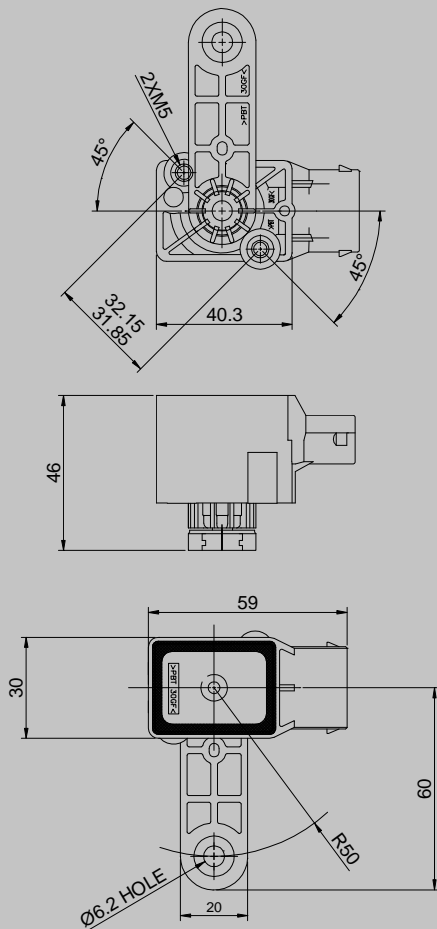
A Multi-function sensor based on the Industry Standard package size for use in Mobile Machines Controls. The sensor has the option of single or dual potentiometer track outputs and has a capability of having an integral electronic signal conditioning unit.



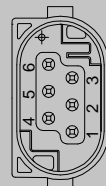
TECHNICAL DATA

- Resistance Value: 1K25ohm track, wiper protection resistor 1K
- Independent Linearity: $\pm 1\%$
- Electrical Angle (dual track available): 1 x 220° or 2 x 110°
- Operating Temperature Range: from -40°C to +150°C (from -40°F to +302°F)
- Endurance: 10 x 106 short stroke, 200 x 106 dither cycles

MECHANICAL DIMENSIONS:



CONNECTOR TYPE & 'PINOUT' DETAIL
(SCALA 2:1)



- PIN.1: GROUND
- PIN.2: SENSOR OUTPUT
- PIN.3: SUPPLY
- PIN.4: NOT CONNECTED
- PIN.5: NOT CONNECTED
- PIN.6: NOT CONNECTED

THIS CONNECTOR SUITABLE TO ACCEPT AMP
CONNECTOR N° 1-967616-1

